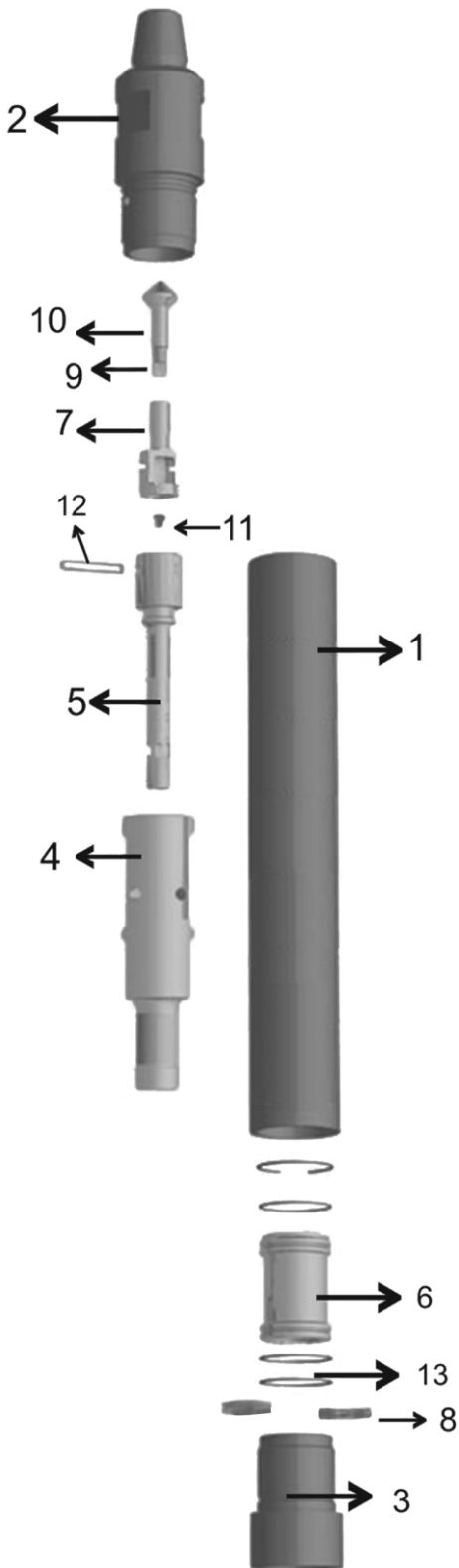


1. 4" Hammer Model - VD40D x 98



S.No	DESCRIPTION
1	Hammer Case
2	Top Sub with 2 3/8" API REG PIN
3	Front Chuck
4	Piston
5	Control tube
6	Guide Bush
7	Top Valve
8	Bit Retainer Ring
9	Spring
10	Check Valve
11	Choke
12	Coupler Pin
13	O ring for Bit retainer ring

Technical Data		
Outer Diameter	98mm	3.85"
Hammer Length	1000mm	39"
Hammer Weight	38kg	84Lbs
Coupler Thread Size	2 3/8" API	Reg Pin
Air Consumption - PSI	150 - 350	
- CFM	350 - 940	

BIT SHANK		
DHD 340		
No Foot Valve Required		
Suitable Bit Size		
4 1/2" To 6 1/2"		

